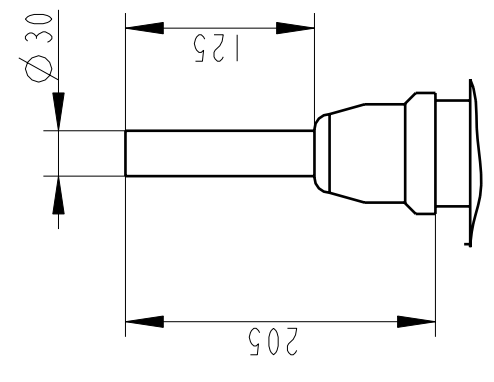
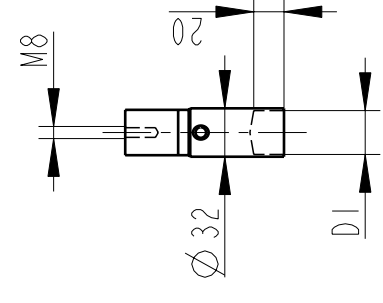


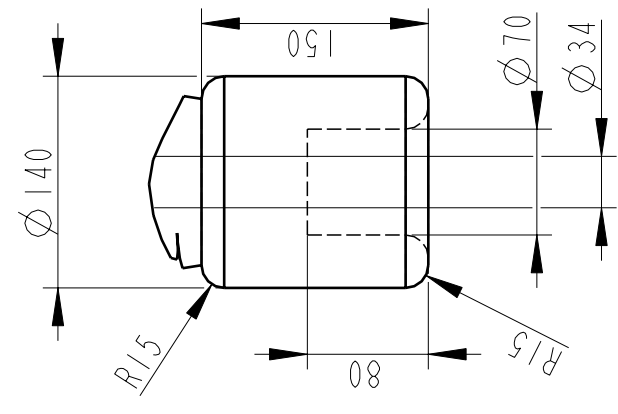
OUTER TERMINAL



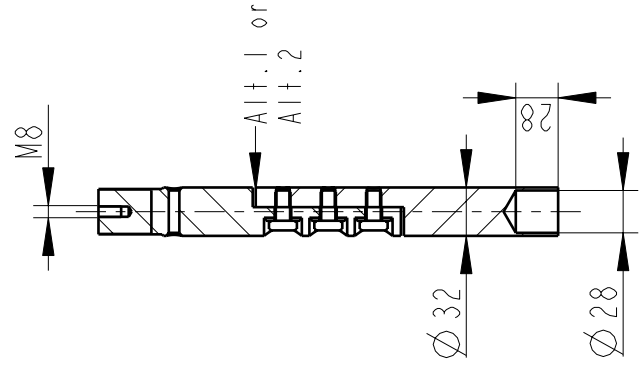
INNER TERMINAL FOR STRANDED CABLE



END SHIELD



SOLID ROD CONNECTOR



The solid rod can be divided either:
 Alt.1: 20mm below the bushing flange or
 Alt.2: 20mm below the upper end of the bottom porcelain

Bushing Data:

Rated Voltage	170	kV
Phase to Ground Voltage	170	kV
Dry Lightning Impulse 1,2/50µs	750	kV
Wet power frequency AC	325	kV
Routine test Imin dry 50Hz	350	kV
Rated Current	1250	A
Creepage Distance	4800±150	mm
Creepage Distance Protected	1700	mm
Mass	200	kg

Ordering Data:

BUSHING	COLOUR AIR INSULATOR
LF123079-M	BROWN
-N	LIGHT GREY
OUTER TERMINAL	
LF 170 002-B	Cu, Ø 30, L=125
LF 170 001-B	Al, Ø 30, L=125
OTHER TYPES ON REQUEST	
INNER TERMINAL FOR STRANDED CABLE	
For brazing	Conductor area DI
LF 170 011-T	up to 285mm ² Ø 29
LF 170 011-V	Undrilled with pilot hole Ø 5
SOLID ROD CONNECTOR	
LF 170 052 -S for Alt.1	
LF 170 052 -P for Alt.2	

ABB Components Ludvika, Sweden	
No.	U / S / AC
U	kV
S	tr
AC	A 50/60 Hz
kg	L
mm	V
pf	Tan δ
pf	Tan δ
U	kV
M	mm
C1	mm
C2	mm

Based on	Reg. No.
Prepared	Responsible department
Lövnord	COM/BK
Approved	Take over department
Johansson	Database
Design engineering review	
Hedlund	

Title	GOB 750-1250-0.5
WITHOUT OIL LEVEL GAUGE	
LONG END SHIELD	
Page	I(1)
Document No.	2751369-168

We reserve all rights in this document and in the information contained therein. Reproduction, use or disclosure to third parties without express authority is strictly forbidden.
 © ABB